

HIT & HOLD OPTION



Output	8-24 V, 3A max.
Hold Voltage PWM Freq.	25 KHz
LED Indicators	Power status (green), trigger status (blue), warning (red—indicates for over 3.75 A, over 140° C, or short circuit)
Hit Time	100 ±10 ms
Trigger Input	2.5 to 24 VDC
Life Cycle	1,000,000 expected
More Info	clippard.com/link/hit-hold

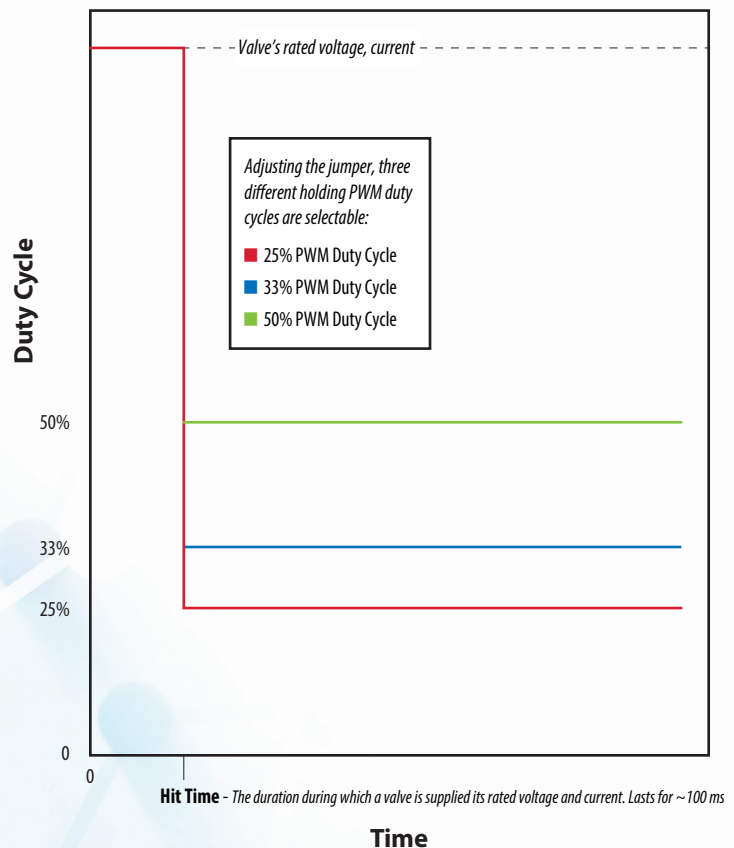
PRELIMINARY

Note: This product is still in development.
Specifications are subject to change.

The general principal behind a hit and hold circuit is that the valve is energized to full power for a short period of time before dropping the voltage and current to a specified level. Applications that are sensitive to heat rise can greatly benefit from hit and hold circuits, as can high cycle and low temperature applications. In some applications, hit and hold can actually extend the life of the valve.

Clippard’s hit and hold option minimizes the heat generated by the coil while dropping power consumption to 1/4, 1/9, or 1/16 of the rated power when the holding voltage PWM duty cycle is 50%, 33%, and 25% respectively. This option is available on Clippard NIV, PIV, and NPV series valves.

VOLTAGE, CURRENT PERFORMANCE



- Lower power consumption
- Less heat generation by the coil
- Increased life cycle
- Ideal for applications that are sensitive to heat rise

NPV-P
Panel Mounted Pinch Valves

NIV / NPV
Isolation and Pinch Valves

DIMENSIONS, NPV-P (Panel Mounted Pinch Valves)

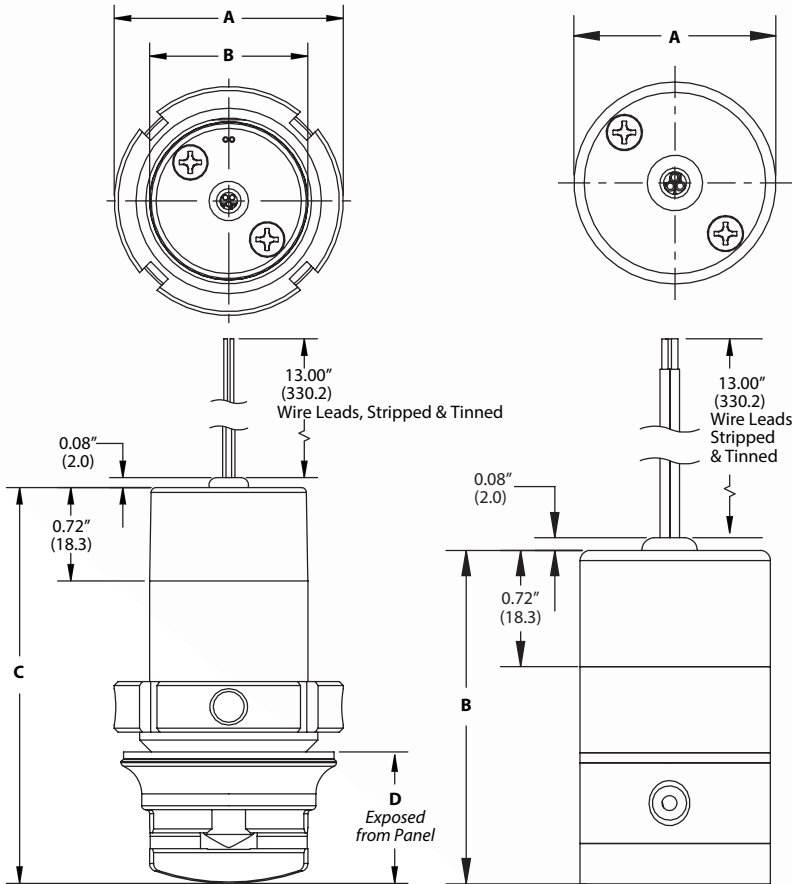
Model	2	3	4
A	1.45" dia. (36.8)	1.70" dia. (43.1)	1.94" dia. (49.4)
B	1.00" dia. (25.4)	1.25" dia. (31.7)	1.50" dia. (38.1)
C	2.63" (66.9)	3.04" (77.2)	3.42" (87.0)
D	0.83" (21.2)	1.04" (26.4)	1.32" (33.6)

DIMENSIONS, NIV & NPV (Isolation & Pinch Valves)

Model	2	3	4
A	1.00" dia. (25.4)	1.25" dia. (31.7)	1.50" dia. (38.1)
B	2.04" (51.8)	2.44" (61.9)	2.79" (70.8)

Dimensions shown are in inches
(millimeters listed in parentheses).

Visit clippard.com for more detailed
2D and 3D drawings.



ORDERING INFORMATION

Not Yet Available to Order—**Coming Soon!**

For more info, scan the
QR code or visit

clippard.com/link/hit-hold

